

L-Type Immersion heater

The horizontal kW

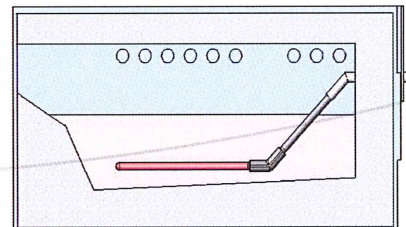
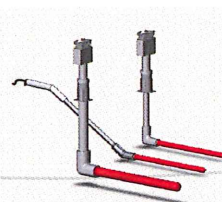
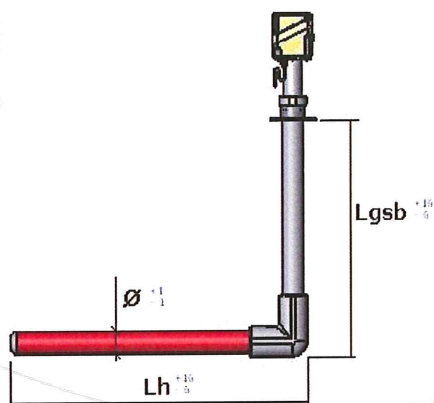
The latest development from Lethiguel, a product of its innovative experience, this electrical immersion heater powered by a connecting post finally enables to output high powers in low-level aluminum baths.

- Applications:
- Main heating source or additional heating in bail-out furnaces;
 - Main heating source in low-pressure and dosing furnaces;
 - Heating of the aluminum flow in aluminum transfer launders;

...

Technical Characteristics:

- High-flow heating, 30W/cm²
- Improving metal quality
- Heating efficiency of 98%
- Low-levels of aluminium required
- Easy positioning



Manufacturing Range:

Reference.	TPL_3266Lgsb	TPL_3276Lgsb	TPL_5590Lgsb
Ø Sheath diameter [mm]	32	32	55
Lh Heating length [mm]	660	760	900
Lgsb Connecting post length [mm]	from 200 to 1000		
Power [kW @ 750°C]	8	12	20

Straight or bent extension



700 kg TPL 5590 20 kW 780°C



500 kg TPL 3276 12 kW 710°C

